

STORM DOOR INSTALLATION INSTRUCTIONS

8020024 6.10
95966-000

* READ CAREFULLY BEFORE INSTALLING

A BEFORE YOU GET STARTED

1. TOOLS

NEEDED

- Drill
- -3/32" bit
- -1/8" bit
- -5/16" bit
- Phillips screwdriver
- Slotted screwdriver
- Hacksaw
- Tape Measure
- Hammer
- Pencil
- Pliers
- Punch (use nail)

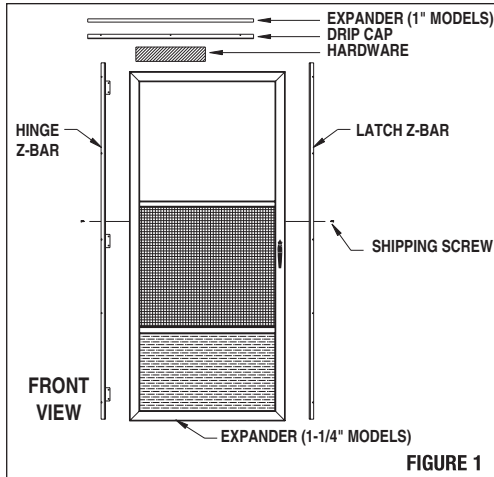


FIGURE 1

2. Lay door flat. Remove packaging.

Remove hardware and drip cap from top cardboard boot. Remove flat expander from top boot (applies to 1" thick models only).

3. Detach hinge z-bar and latch side z-bar from door.

To do this, remove **one (1)** shipping screw on each side of door. (Reinstall screws once z-bars are unattached.) **See Figure 1**

4. Remove glass sashes (if applicable).

This makes your door lighter while installing.

5. Make sure house door trim is nailed securely to support your new storm door.

B DETERMINE HINGE SIDE

1. Looking at your door opening from the outside, determine which side you want the hinge on. **See Figure 2**

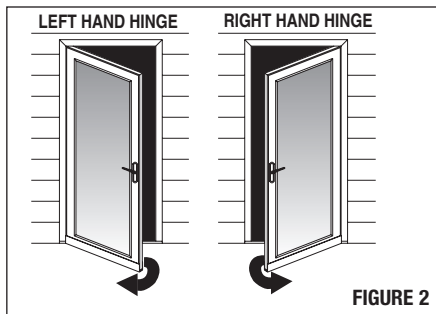


FIGURE 2

C INSTALL HINGE Z-BAR ON DOOR

Figures 4 & 5

1. With door laying flat (outside face of door up) position hinge z-bar on selected hinge side as shown.
2. Align each hinge leaf along **inside** edge of door, allowing z-bar to overhang 1/8" at top of door.
3. Mark hinge holes, and drill 1/8" pilot holes.
4. Install two (2) #10x1/2" panhead screws per hinge to complete attachment.

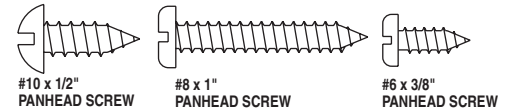


FIGURE 3

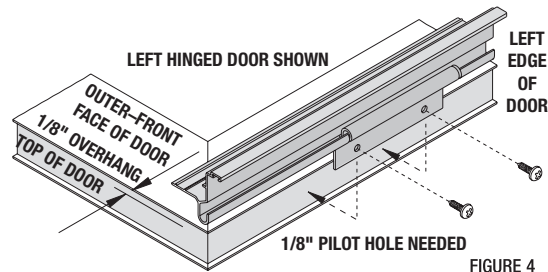


FIGURE 4

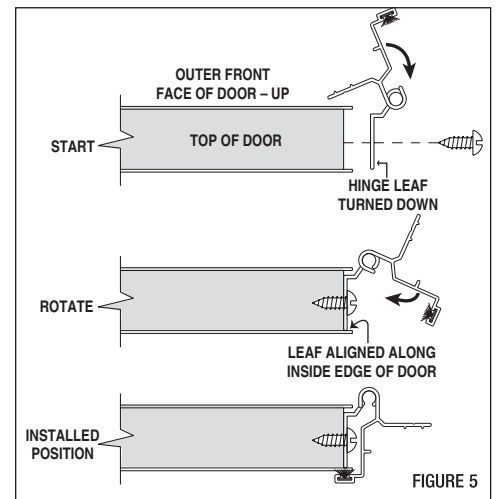


FIGURE 5

D INSTALL EXPANDER SWEEPS

Some 1-1/4" MODELS: "U" shaped expander comes attached to door

1. Remove expander from bottom of door.
2. Install vinyl sweep in bottom of expander.

See Figure 6

3. Crimp both ends of sweep channel.
4. Trim excess sweep with scissors.
5. Reposition expander on bottom of door.

* DO NOT FASTEN UNTIL STEP H

1-inch and 1-1/4-inch MODELS: Flat expander, shipped loose in top boot with hardware

1. Install vinyl sweep in bottom of expander.

See Figure 6

2. Crimp both ends of sweep channel.
3. Trim excess sweep with scissors.

* DO NOT FASTEN UNTIL STEP H

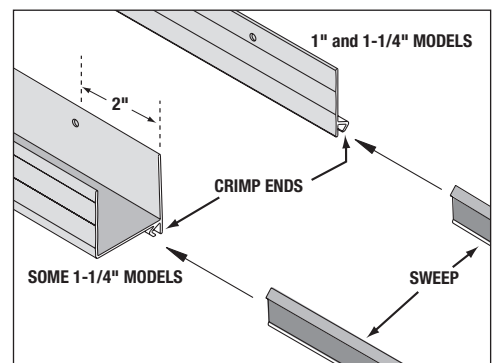


FIGURE 6

E INSTALL HINGED DOOR ON HOUSE

1. Place hinged door in the opening with the hinge z-bar tight against the wood trim or frame. **Allow a 1/8" gap between top of door and top of framed opening.**
2. If hinged z-bar is too long, cut off bottom to correct length. **See Figure 7.**
*Cut latch z-bar to match length of hinge z-bar.
3. With door held in position, and hinge z-bar tight against wood trim, install five (5) #8x1" panhead screws through pre-drilled holes in outside face of hinge z-bar. **See Figure 3**
4. Open door and install one (1) #8x1" panhead screw through pre-drilled hole at **each** hinge into the jamb side of wood trim.

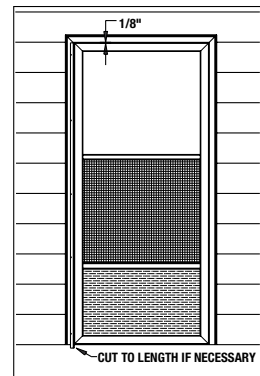


FIGURE 7

F INSTALL LATCH SIDE Z-BAR

1. Open the door and position the latch side z-bar against the wood trim—close door while hanging on to the latch z-bar. Align top of latch z-bar with top of hinge z-bar, allowing a 1/8" gap between door and latch side z-bar. **See Figure 8**
2. Install five (5) #8x1" panhead screws through pre-drilled holes in the outside face of latch z-bar.

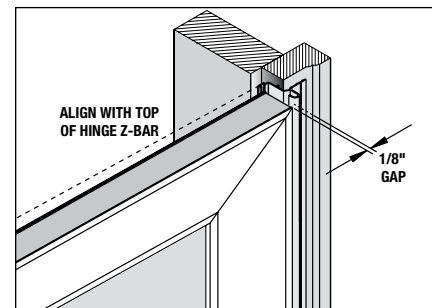


FIGURE 8

G INSTALL TOP DRIP CAP (above the door and z-bars)

1. Place drip cap into position above door. **See Figure 9**
2. Center drip cap over door allowing a 1/8" gap between top of door and drip cap.
3. Install two (2) #8x1" panhead screws through pre-drilled holes in the outside face of the drip cap.

H ADJUST BOTTOM EXPANDER

1-1/4" MODELS: "U" shaped expander

1. Adjust the expander so that the vinyl sweep touches the door threshold.
2. Drill two (2) 3/32" pilot holes on the inside of the door approximately 2" from end of expander.
3. Install two (2) #6x3/8" panhead screws. **See Figure 6**

1" MODELS: Flat expander

1. Position expander on bottom **outside** face of door (flat surface against door) so that the vinyl sweep touches the door threshold.
2. Drill two (2) 3/32" pilot holes on the outside of door approximately 2" from end of expander.
3. Install two (2) #6x3/8" panhead screws. **See Figure 6**

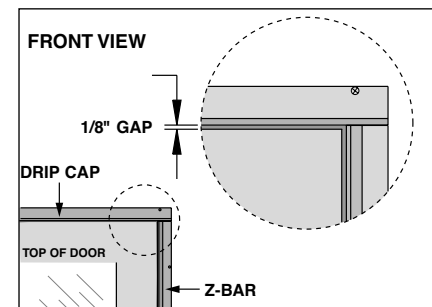


FIGURE 9

I GLASS & SCREEN SASH INSTALLATION/REMOVAL ONE LITE MODELS (Figure 10)

Your door is shipped with the screen and glass inserts in the window opening. After the door is installed either the screen or glass is held in place by plastic retainer strips. **NOTE:** Black clips are used for shipping purposes only. Retainer strips are taped to the door.

To install the retainers, start one end of the retainer into the track by pushing the angled end of the retainer into the inside track as shown. Continue to snap it into place from that end (moving toward the opposite end in increments of 4–5"). When you get to the end, you will hear a "snap" as the last portion of the retainer goes in. To remove the retainers, use a straight blade screwdriver and pry retainer outward (see cross section view).

J ATTACH HARDWARE (LATCH, WINDCHAIN*, AND CLOSER)

Refer to separate instructions included in the hardware box.

NOTE: Be sure to install storm door hardware at a height that will not interfere with the prime door hardware.

* Some models do not come with windchains.

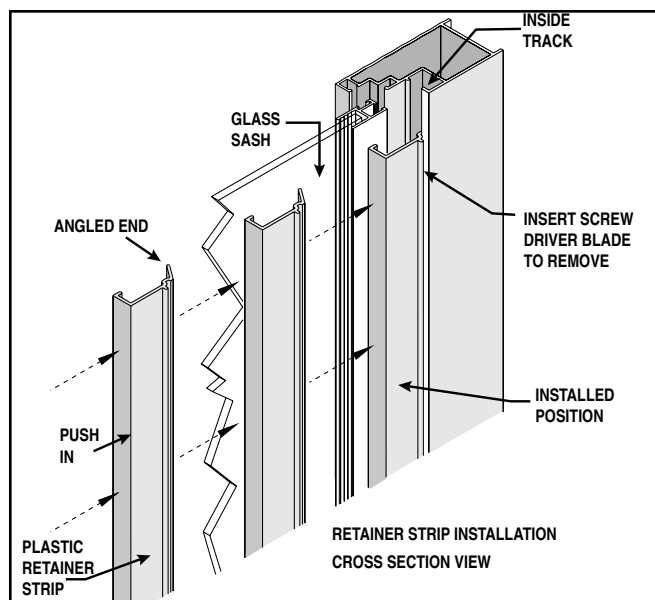


FIGURE 10

COMFORT-BILT™ 1-YEAR LIMITED WARRANTY

Your COMFORT-BILT™ storm door is warranted to be free from defects in material and workmanship for a period of one year from the date of purchase by the original consumer. The COMFORT-BILT™ Company warrants for one year to the original purchaser of the residential storm door that it will repair or replace, at the company's option, any major component or door determined to be defective in material or workmanship under normal use provided the original component has not been altered in any way. This **1-Year Warranty** excludes failure due to wind damage, glass breakage, screen tears and does not cover misuse, improper installation, or product alterations.

To obtain performance under this Warranty, the original user must do the following: Notify THE COMPANY in writing (to the address shown below) describing the defect and providing proof-of-purchase. The obligations under this Warranty will be completed by THE COMPANY within 90 days after notice of a defect has been received by THE COMPANY. THE COMPANY will perform the obligations under this limited warranty during the normal working hours of its dealers and distributors. **THIS WARRANTY EXCLUDES ALL INCIDENTAL AND CONSEQUENTIAL DAMAGE.**

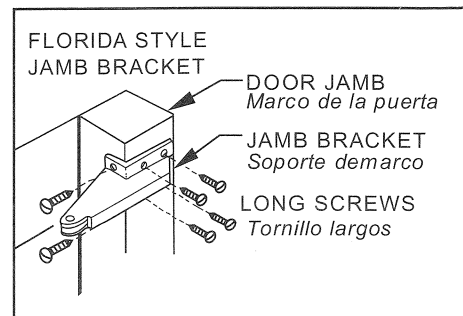
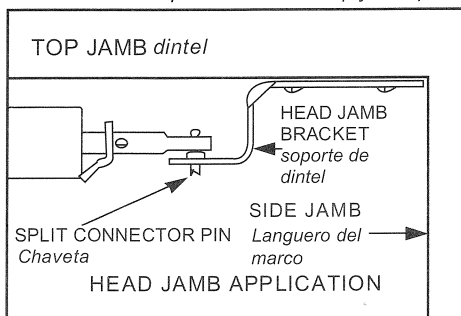
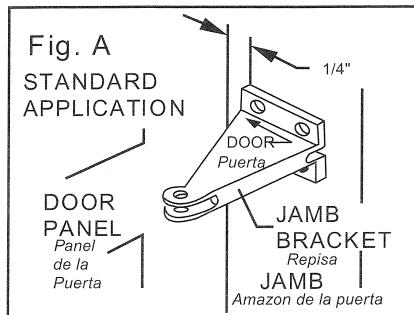
Some states do not allow the exclusion of incidental and consequential damage, so the above may not apply to you. This warranty gives you specific legal rights, and you may also have other rights which vary from state to state.

For service under this warranty or for any information you may need at any time about your COMFORT-BILT™ storm door, write to:
COMFORT-BILT™ Windows & Doors • 222 Sunrise Ridge Road, Brookings, South Dakota 57006 • (605) 697-5594

CLOSER INSTALLATION INSTRUCTIONS

INSTRUCCIONES DE INSTALACION
(USE 1/8" DRILL BIT FOR ALL PILOT HOLES)
(Use taladro 1/8" para todos los agujeros pilotos.)

(Use of a little oil or soap on threads makes driving screws much easier.)

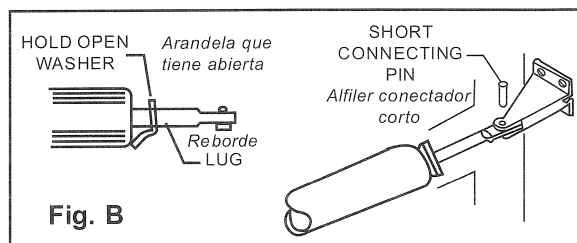


STEP 1 - Check to make sure that the door closes freely. **Standard Application:** This closer may be installed on the top rail or on the center mullion strip (if present) near the center. At desired height, fasten jamb bracket to door frame with open side of bracket 1/4" from door as shown. (See Fig. A) If more latching force is desired, jamb bracket may be moved to 1" away from door. **NOTE:** Moving the jamb bracket further way from door reduces door opening. **Head Jamb Application:** On hinge side of door, fasten head jamb bracket to top jamb using the (3) long screws. Locate head jamb bracket against side jamb and 3/8" from face of door as shown.

Paso 1 - A altura deseada, fije la repisa a la aramazón de la puerta con el lado abierto e 1/4" de la puerta como se muestra (mira Fig. A) Si desea más fuerza en picaporte, la repisa puede moverse hasta 1" lejos de la puerta. **NOTA:** Al mover la repisa mas lejos de la puerta reduzca la apertura de la puerta. **Para Dintel:** El soporte que va en el dintel se sujeta al dintel con tres tornillos loargos. Se coloca el soporte del dintel de manera que tope con el languero del marco y que quede a 3/8" de l cara del la puerta.

STEP 2 - Slide hold-open washer on rod. Using short connecting pin, connect closer to jamb bracket. Hold-open washer should be positioned over lugs against closer tube as shown. **NOTE:** This will give proper tension for installation. (Do not change until installations is completed.) (See Fig. B)

Paso 2 - Resbale la parte que tiene abierta en la varilla. Usando el alfiler conector corto, conecte el tubo a la repisa. Coloque la parte que tiene abierta sobre los rebordes al lado del tubo como se demuestra. Esto dara la tension propia para instalacion. (No cambie hasta que la instalacion este completa.) (Mira Fig. B)

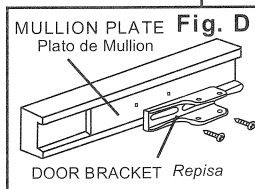
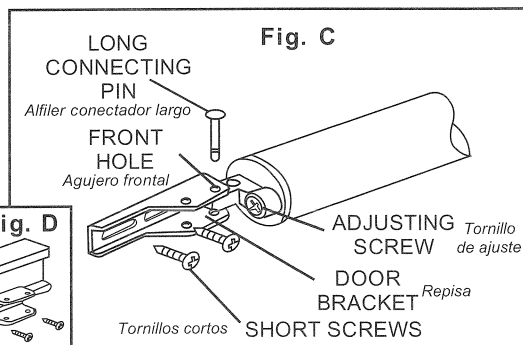


STEP 3 - Attach door bracket to closer tube FRONT hole with long connecting pin. (See Fig. C) With door tightly closed, hold closer and door bracket against door in level position, mark and drill two 1/8" pilot holes.

CAUTION: Do not drill through the door. Fasten door bracket to door with (2) short screws. Open door and move hold-open washer back of lugs on rod. Closer is now ready to operate. The closing speed may be regulated by turning the adjusting screw. (See Fig. C)

Paso 3 - Conecte la repisa al tubo en el agujero Fronal con el alfiler conector largo. (Mira Fig. C) Con la puerta bien cerrada, tener el tubo y la repisa a la puerta en una posición nivelada, marca y taladre dos agujeros pilotos 1/8".

CUIDADO: No atraviese la puerta con los agujeros. Usando los tornillos cortos como lo muestra la Ilustración, sujete a la puerta el soporte de la puerta. Abra la puerta y deslice la arandela de fricción hacia atrás en la barra hasta el otro lado de los espolones. La prisa de cerrar puede regularse al girar el tornillo de ajuste (Mira Fig. C)



CONTROLLED LATCHING POWER FEATURE

Installed as directed, the closing speed of the door will accelerate in the last few inches of travel. If a smoother, quieter closing action is desired, hold door open about 8" with hold-open washer, remove long connecting pin from the door bracket and relocate in closer REAR hole, if present. This position is normally used when the screen panel is in place. (See Fig. C)

CONTROL LA FUEZA DE PICAPORTE

Con instalación dirigida, la repisa se asegura en el agujero al frente de la máquina de cerrar, la válvula construida en esta máquina de cerrar acelerara la prisa de cerrar en las últimas plugadas del viaje. Esta posición es recomendada cuando el vidrio tablero esta en lugar. Si desea una acción de cerrar más suave y silenciosa abra la puérta casi 8" con la parte que tiene abierta, saque el alfiler conector largo de la repisa y ponga en el agujero TRASERO en le tubo. Esta posición es usada cuando el vidrio de alamabre está en lugar. (Mira Fig. C)

